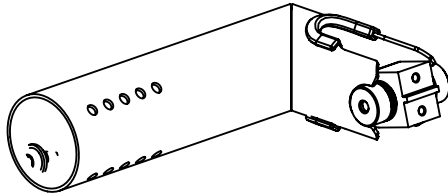


Installation Guide

Peripheral arm for SCO Flex





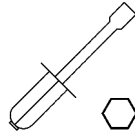
CAUTION

- Please ensure that you read and understand the content of the installation guide before you begin the installation process.
- This product must be installed by a professional installer.
- Please don't power the hardware, until the entire solution is fully assembled.
- This product is intended for indoor use only.
- Do not overtighten the fixings.
- If these installation instructions are not followed precisely, it could lead to product failure and potential personal injury.
- It is the responsibility of the installer to use the appropriate fixings for the specific installation location. Please follow the fixing suppliers recommendations for installation.
- This solution is designed for certified hardware and accessories. Always follow the installation guide from the hardware manufacturer for correct installation.
- Ergonomic Solutions / SpacePole inc. cannot be held responsible for any product failure or personal injury, if the installation instructions are not followed correctly.
- Ergonomic Solutions / SpacePole inc. cannot be held responsible for any product failure or personal injury, if any modifications have been made to the product by the customer.

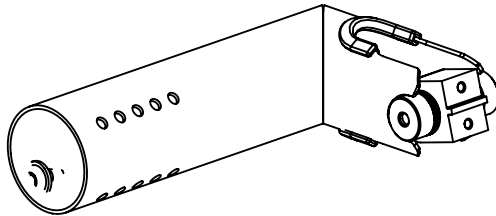
MAINTENANCE

- It is the responsibility of the customer to periodically check the installation and ensure it is clean, all air ventilation holes are free and all fixings are tightened correctly.

Tool list



Box content

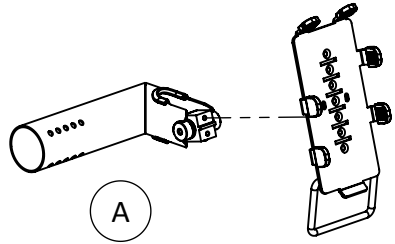


1x (A)

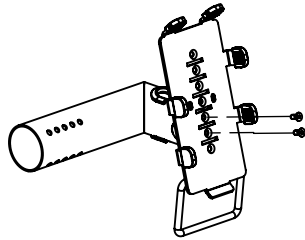
Steps

Step 1:

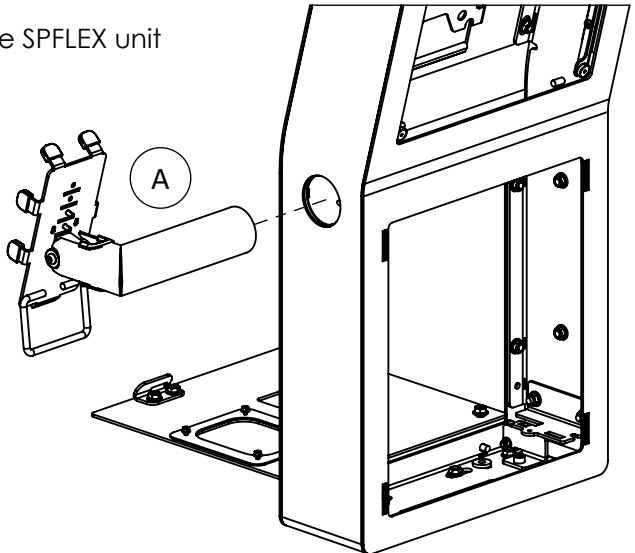
- 1 Choose the preferred position of the Multigrip plate. (Not included)



- 2 Mount **Part A** and MultiGrip plate together using 2x **Hex socket flat countersunk M4x10mm**.



- 3 Insert **Part A** into the SPFLEX unit

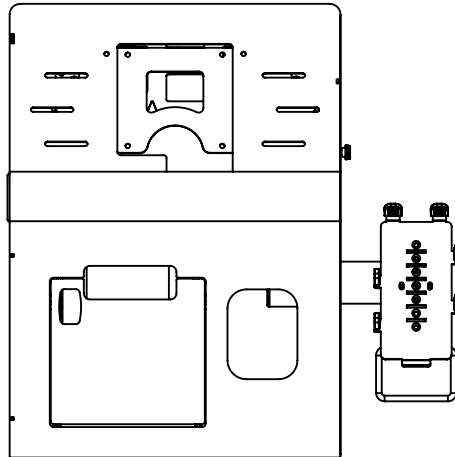


Steps

Step 2:

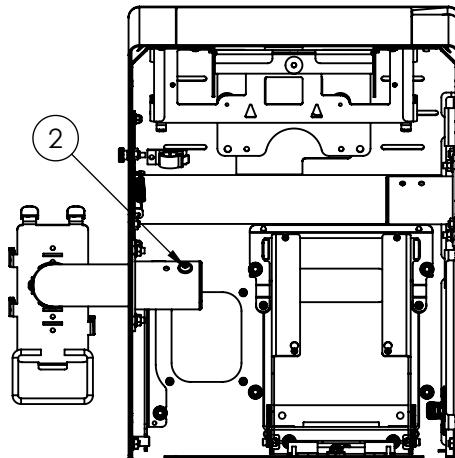
1

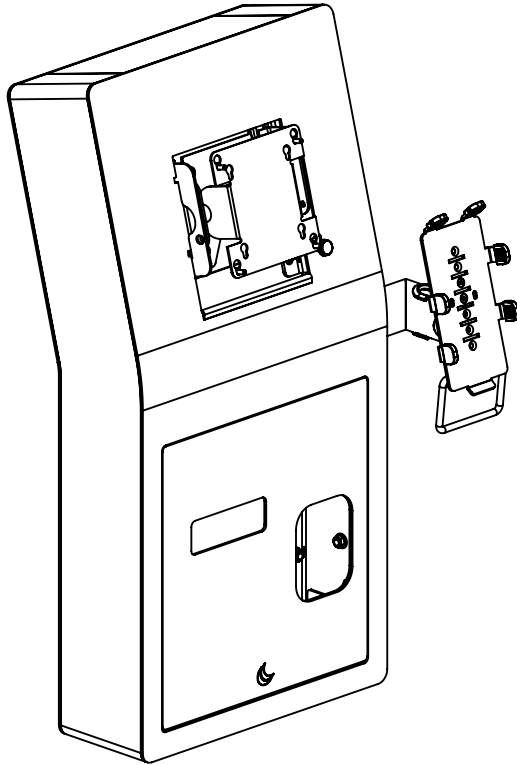
Choose the preferred position for the arm and place it as close as possible to the SCO unit without interfering with the screen.



2

Once the desired position is reached, tighten the arm in place using the supplied screw.





Need help? Contact us



ergonomic.solutions/about/contact-us

spacepole.com/about/contact-us